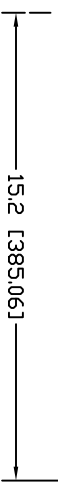
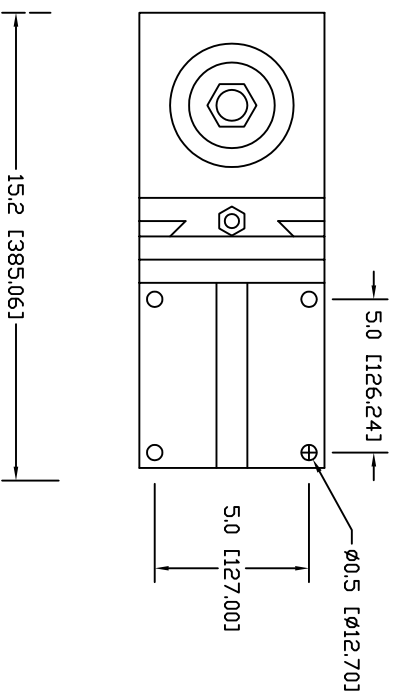
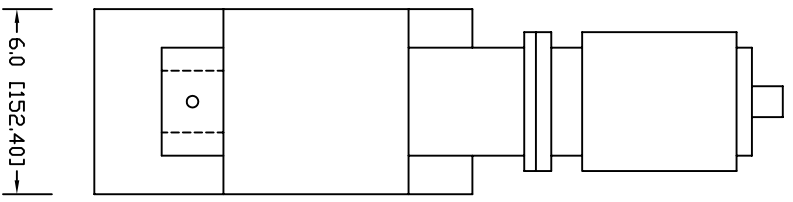


# 6Z Mill

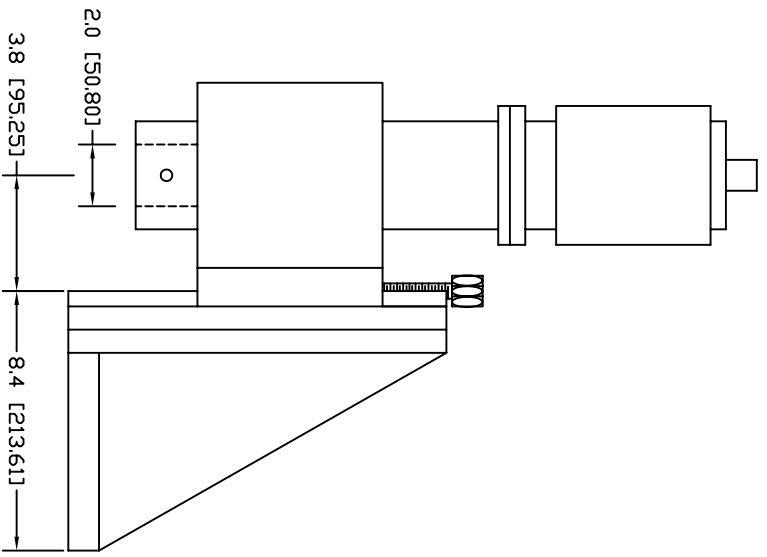
Top



Front



Side



Plunge travel

