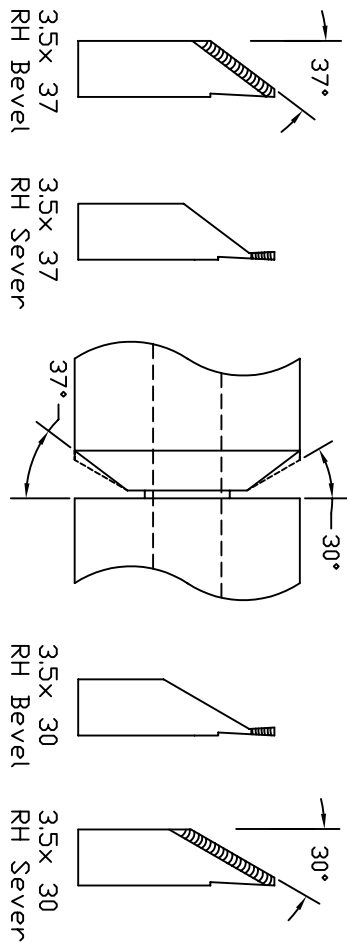
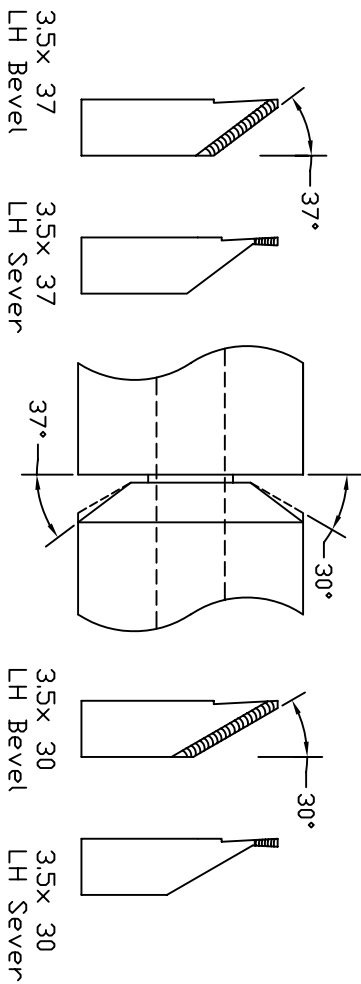


Common clamshell blades

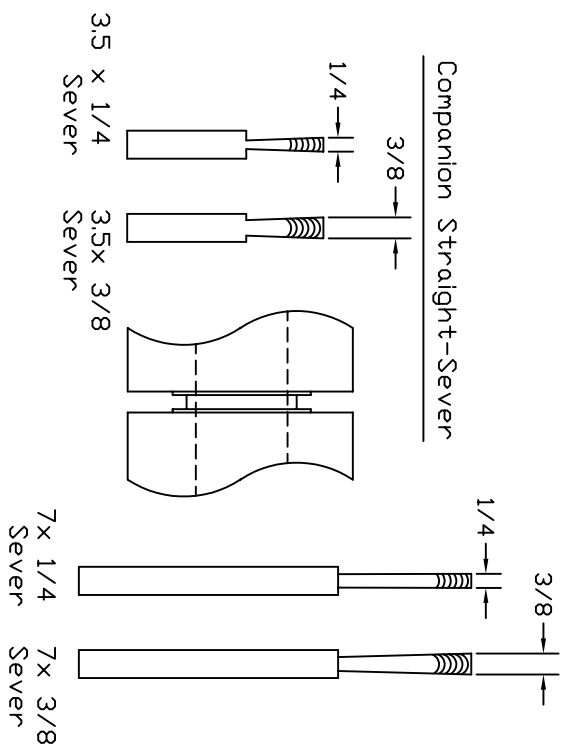
Companion Right Hand Sever-Bevel



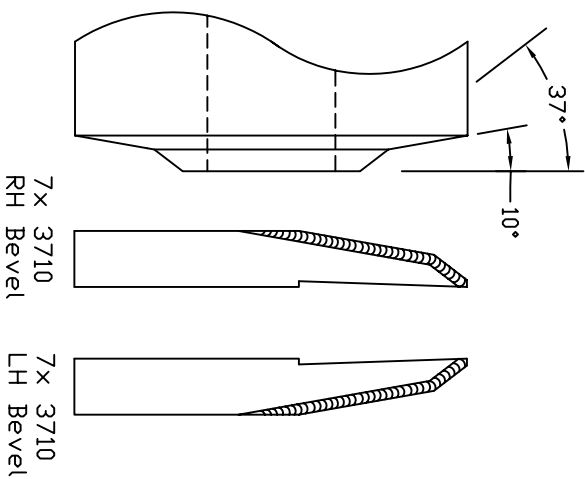
Companion Left Hand Sever-Bevel



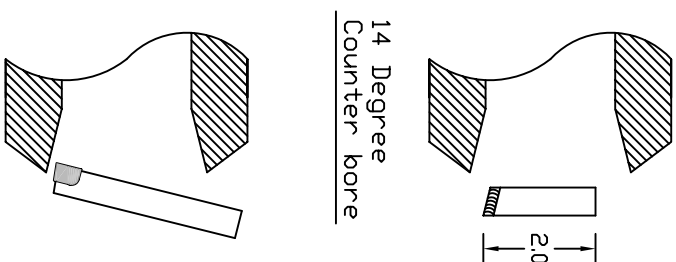
Companion Straight-Sever



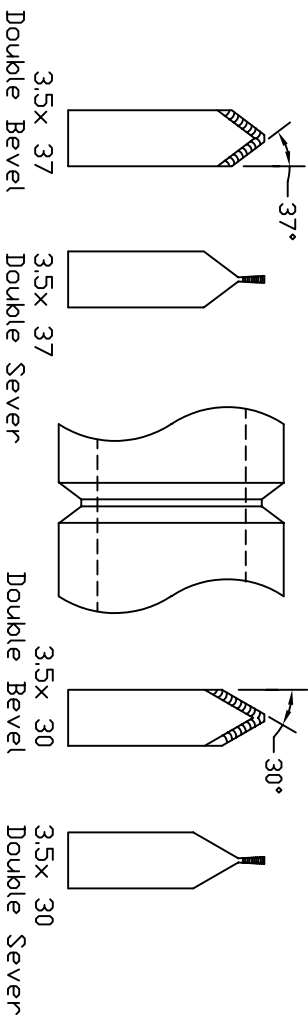
Compound Angle Bevel



14 Degree Counter-bore



Companion Double Sever-Bevel



AL8 Counter-bore
1/2 LH Carbide