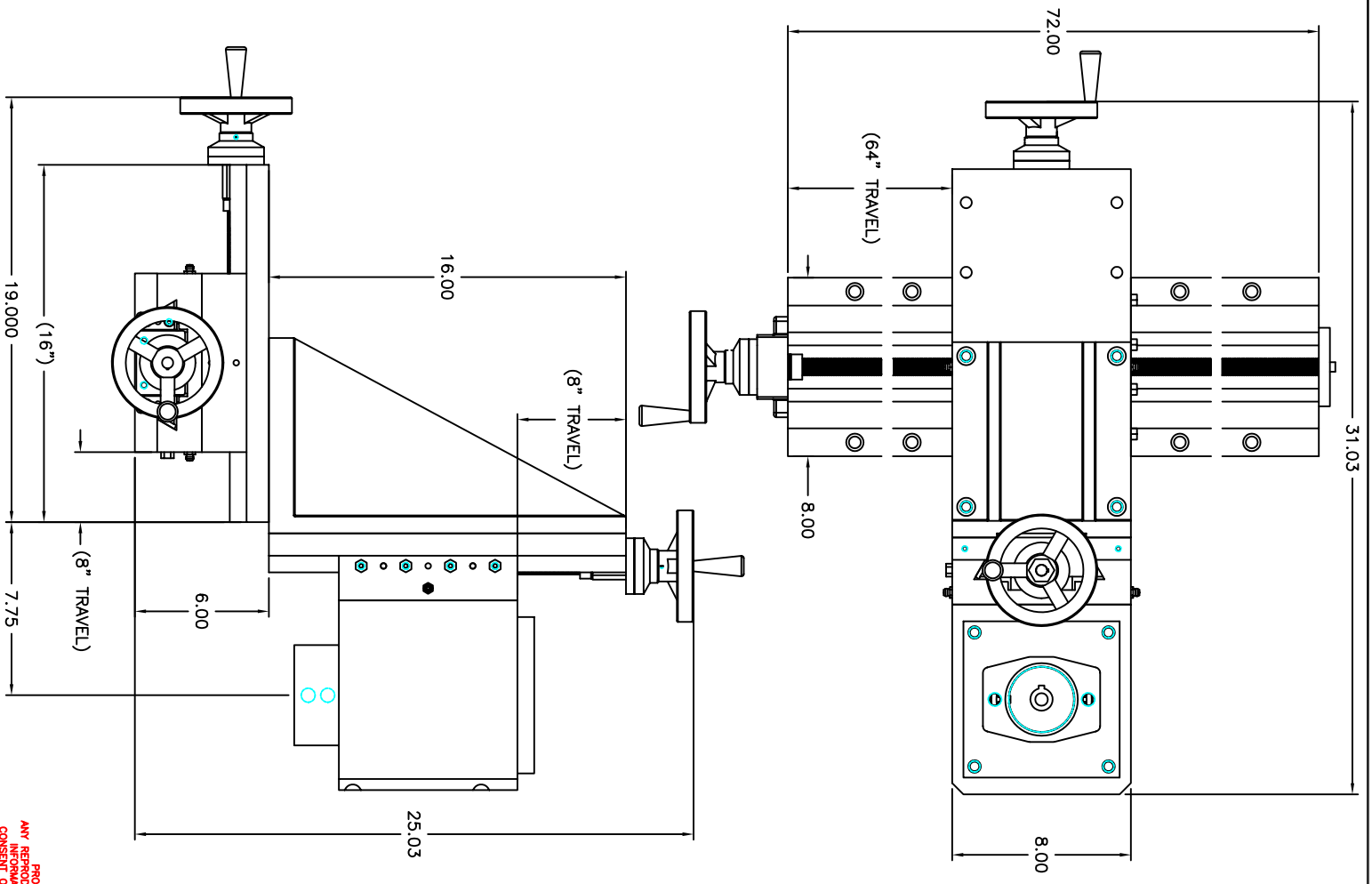
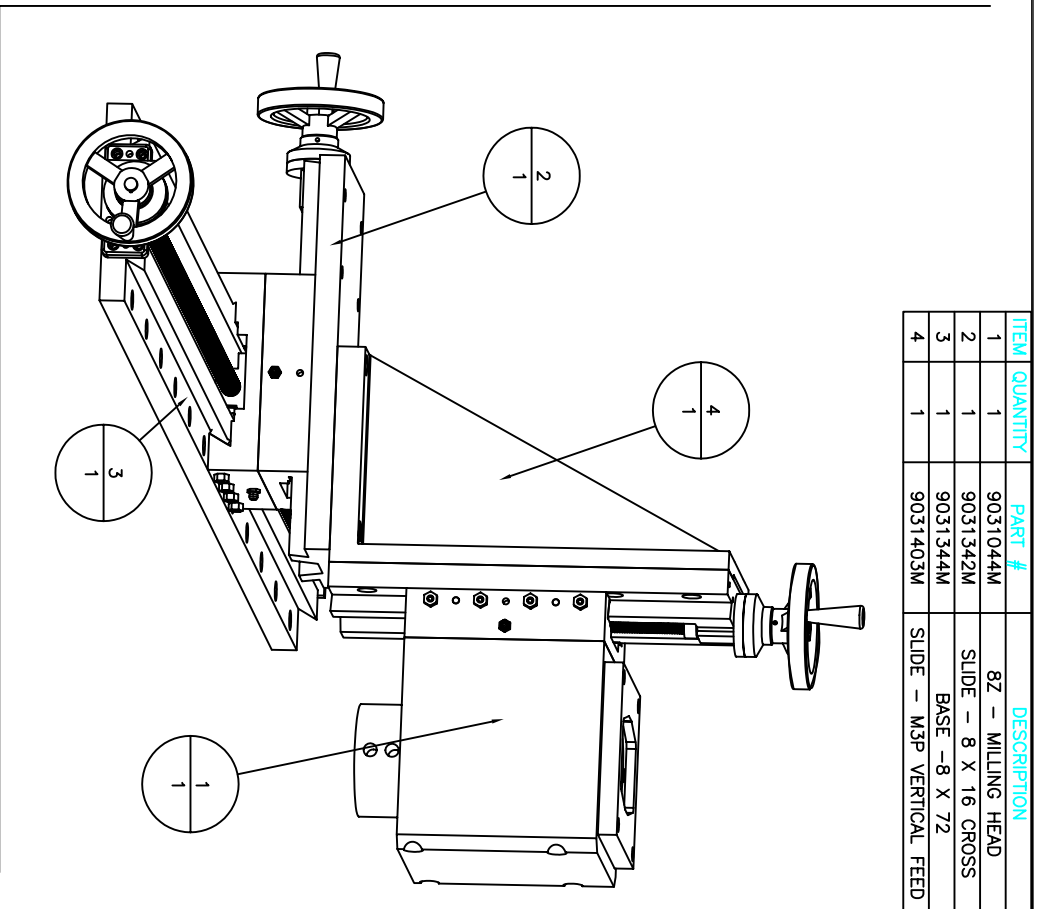


ITEM	QUANTITY	PART #	DESCRIPTION
1	1	9031044M	8Z - MILLING HEAD
2	1	9031342M	SLIDE - 8 X 16 CROSS
3	1	9031344M	BASE - 8 X 72
4	1	9031403M	SLIDE - M&P VERTICAL FEED



CONFIDENTIAL  
 PROPERTY OF D. L. RICCI CORP.  
 ANY REPRODUCTION OR USE OF ANY DESIGN OR  
 CONSIST OF D. L. RICCI CORP. IS PROHIBITED

<p><b>D. L. Ricci</b></p>		<p><b>D. L. RICCI CORP.</b></p>	
<p>5001 MOUNDVIEW DR., RED WING MN 55066          651-388-8661 1-800-283-1937</p>		<p>ASSY. - 8 X 72 MILLING MACHINE</p>	
<p>MATERIAL/SPEC. N/A</p>		<p>SCALE 1 : 1</p>	
<p>DATE 07/02/02</p>		<p>REF. #</p>	
<p>CHK'D MAG</p>		<p>SHEET 1 OF 1</p>	
<p>DATE 07/02/02</p>		<p>PART # 903_8X72</p>	
<p>TOLERANCES - UNLESS OTHERWISE NOTED          DIMENSIONS ARE IN INCHES          ONE PLACE ± .1          TWO PLACE ± .01          THREE PLACE ± .003          FOUR PLACE ± .0020          FRACTIONAL ± 1/64          -BREAK ALL EDGES-          -ALL UNSPECIFIED SURFACES- 125μIN</p>			